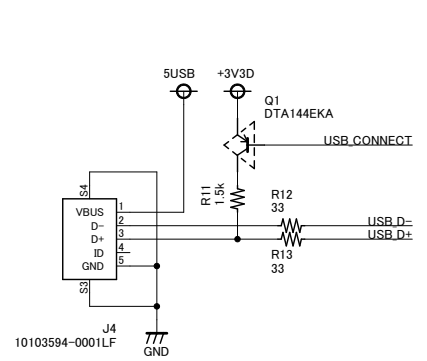


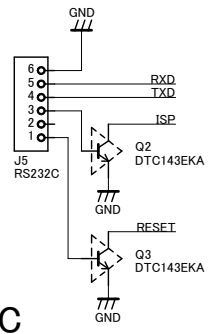
Power Supply

Clock

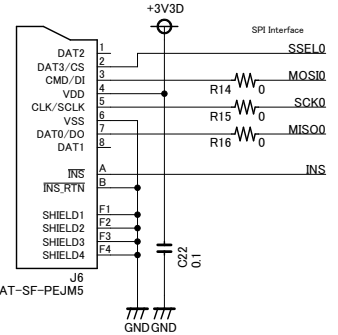
I/F



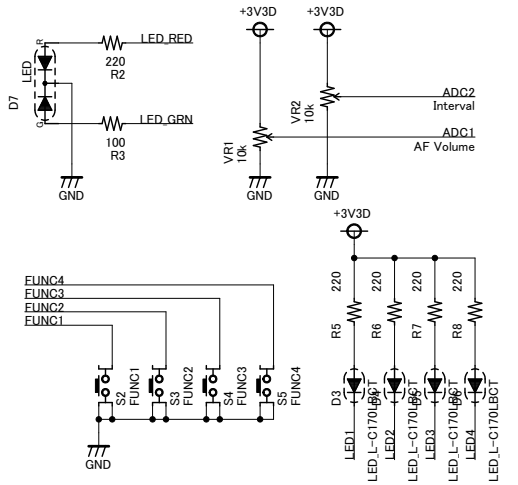
Micro USB



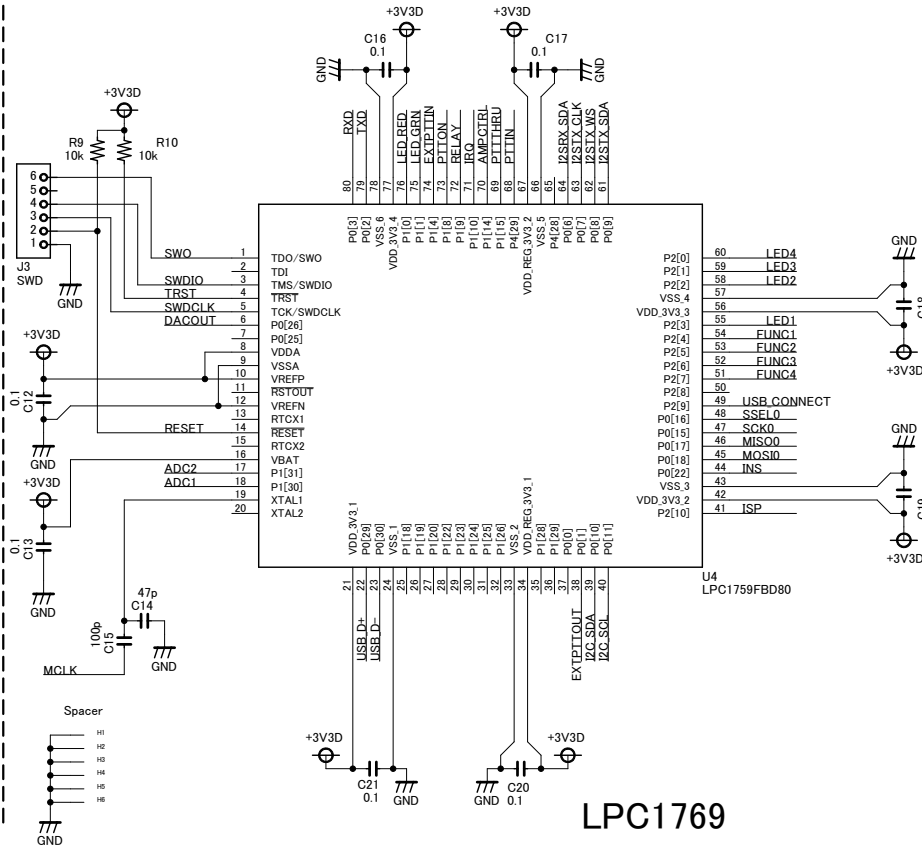
RS232C



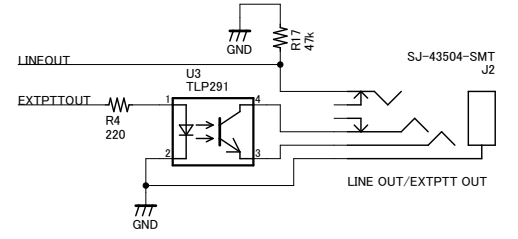
SD Card



USER I/F



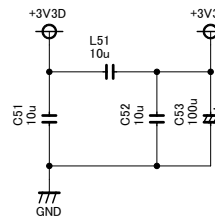
LPC1769



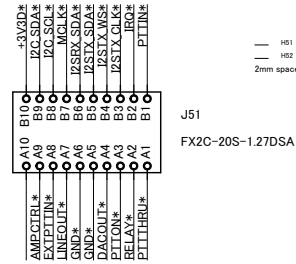
PTT/LINE OUT

TITLE: ruby_prd_05	
Document Number:	REV:
Date: 2016/01/19 10:15:43	Sheet: 1/2

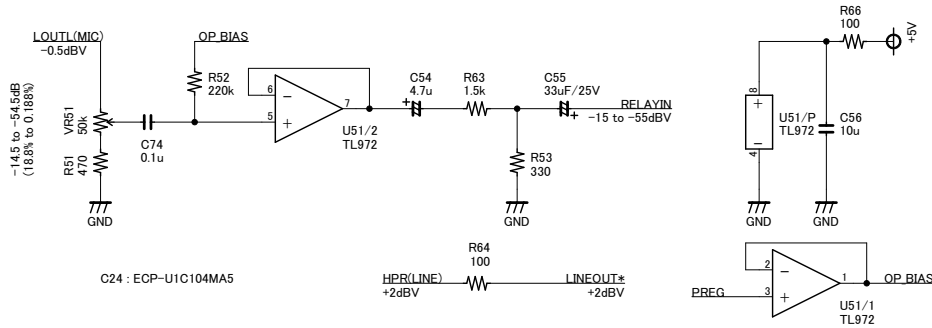
### POWER SUPPLY



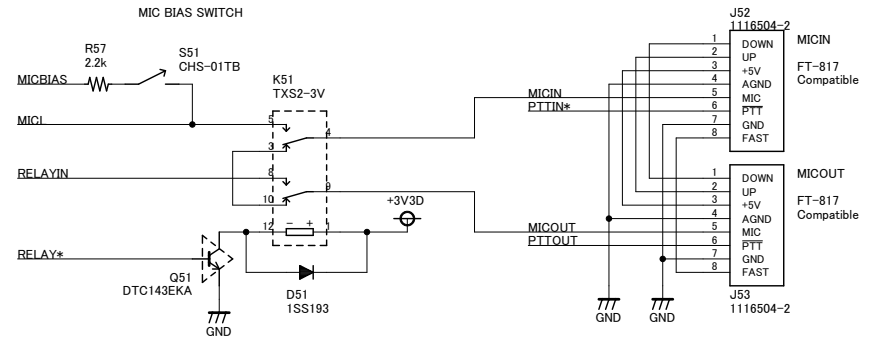
### I/F



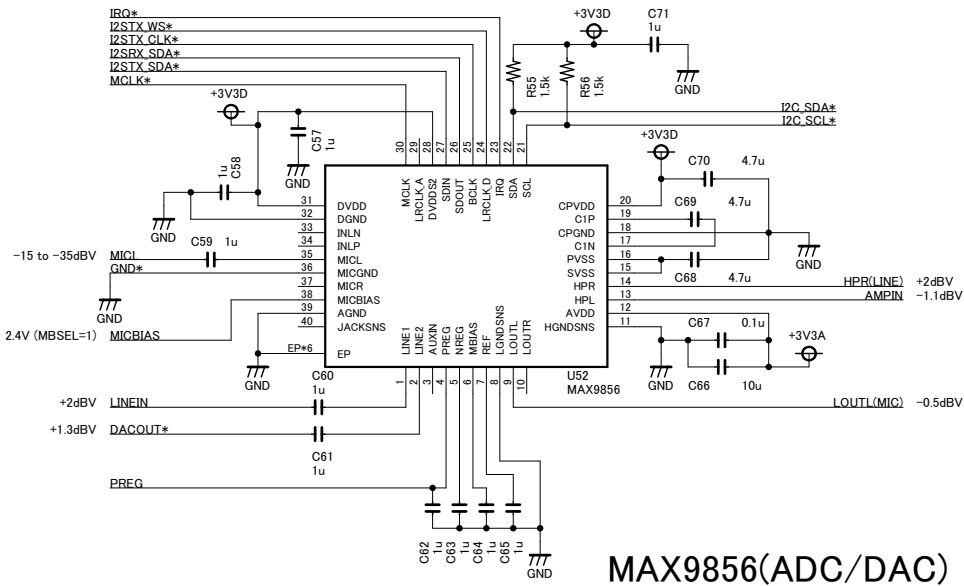
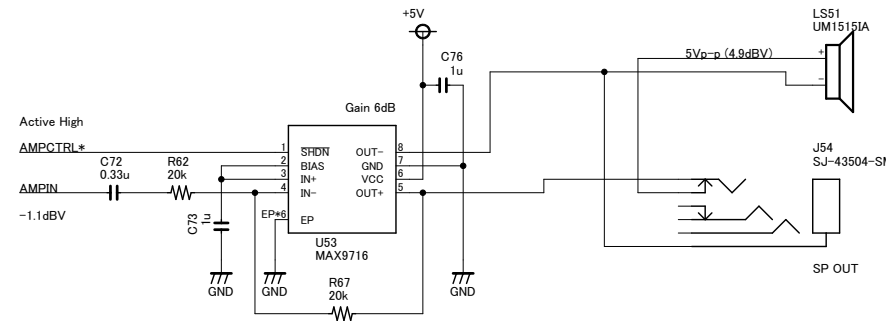
### AF OUTPUT I/F



### MIC I/F

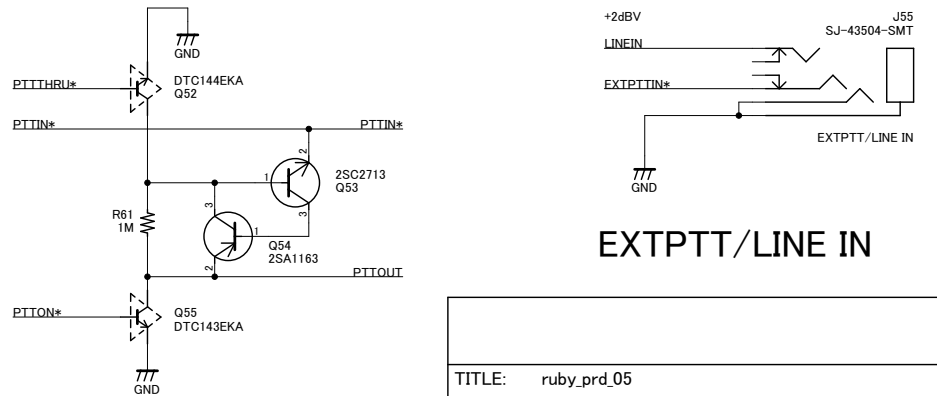


### AF AMP



### MAX9856(ADC/DAC)

### PTT Control



### EXTPTT/LINE IN

TITLE: ruby_prd_05	
Document Number:	REV:
Date: 2016/01/19 10:15:43	Sheet: 2/2