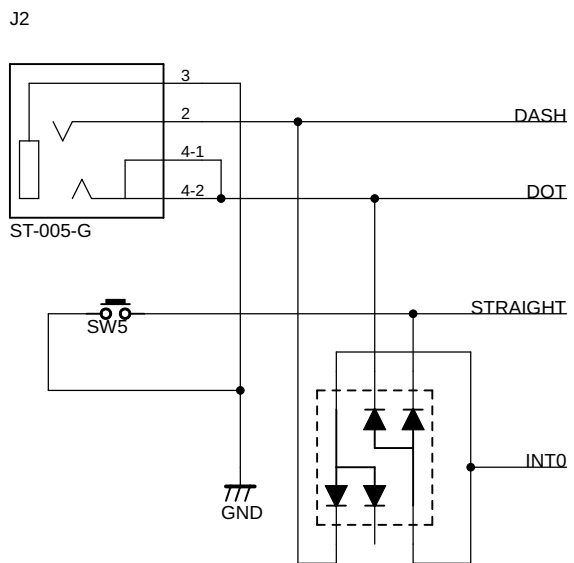
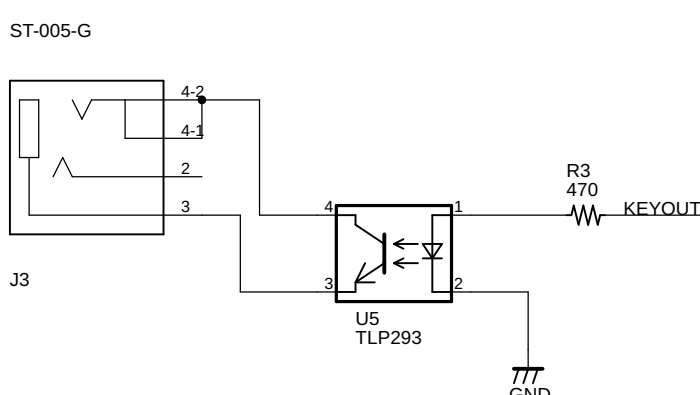


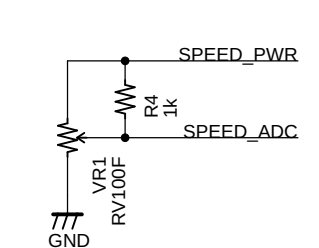
Key In



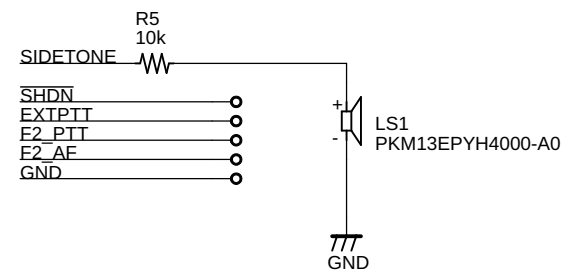
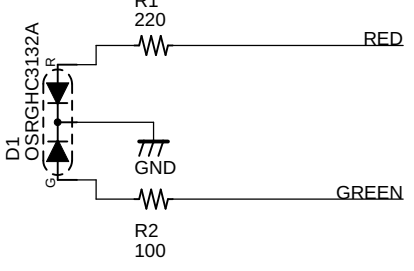
Key Out



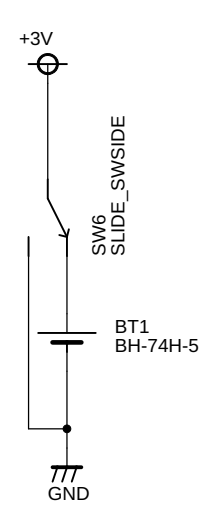
Speed



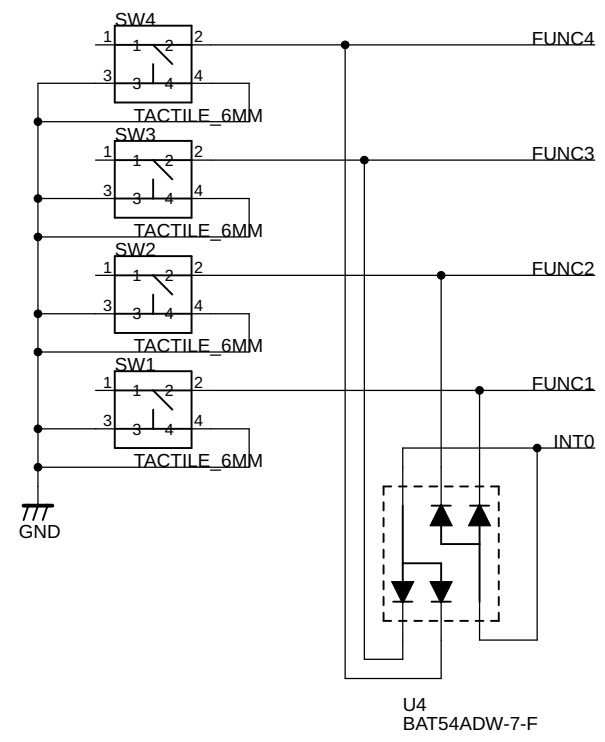
LED



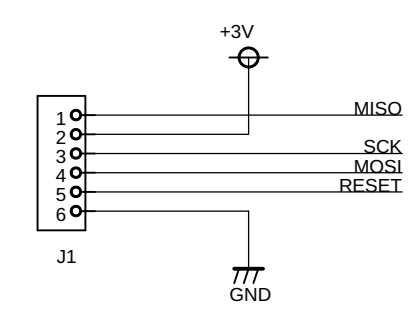
Battery



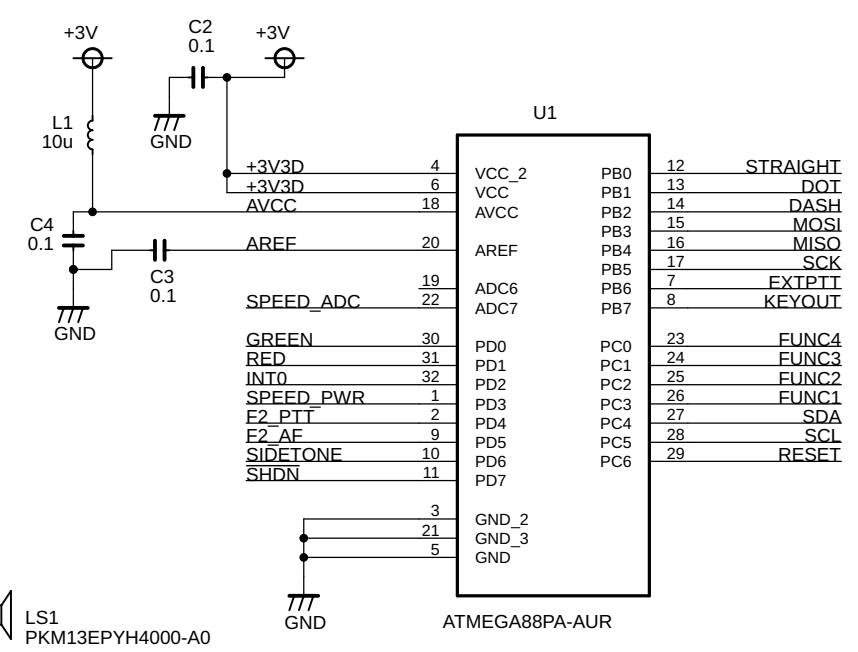
FUNC Switch



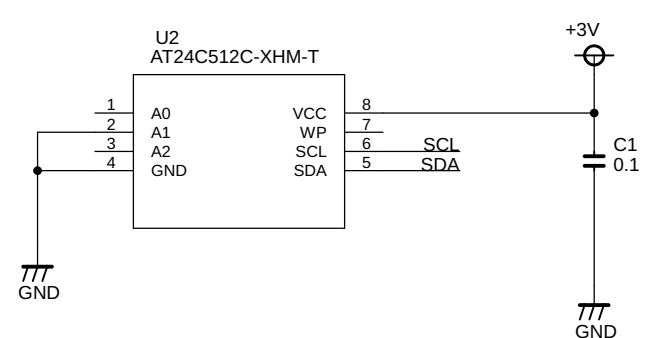
ISP



ATmega88



EEPROM



TITLE: KEYER_XS-PA4 v13	
Document Number:	REV:
Date: 2023/08/10 23:29	Sheet: 1/1