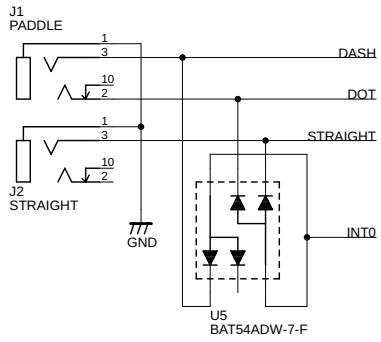
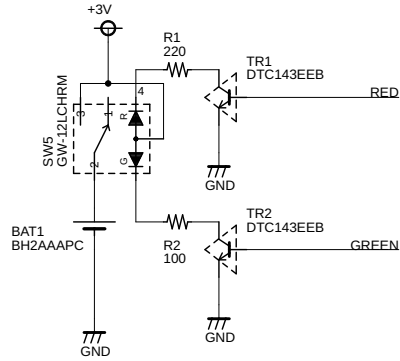


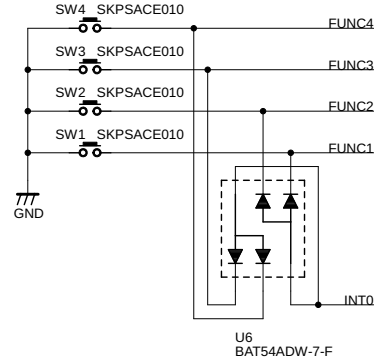
Key In



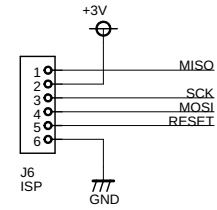
Battery / LED



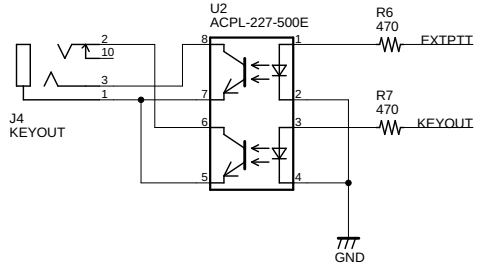
FUNC Switch



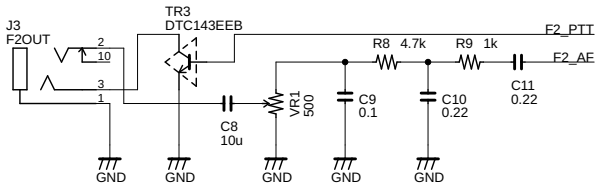
ISP



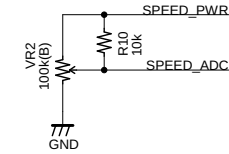
Key Out



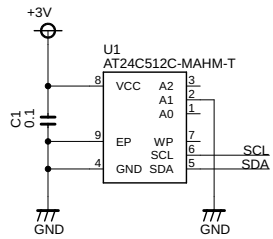
F2 Out



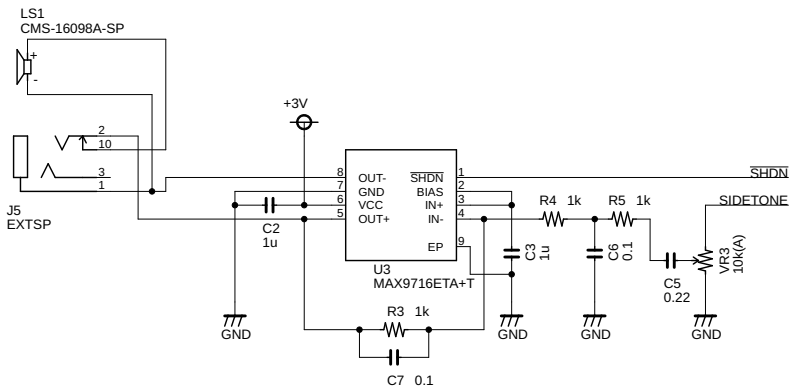
Speed



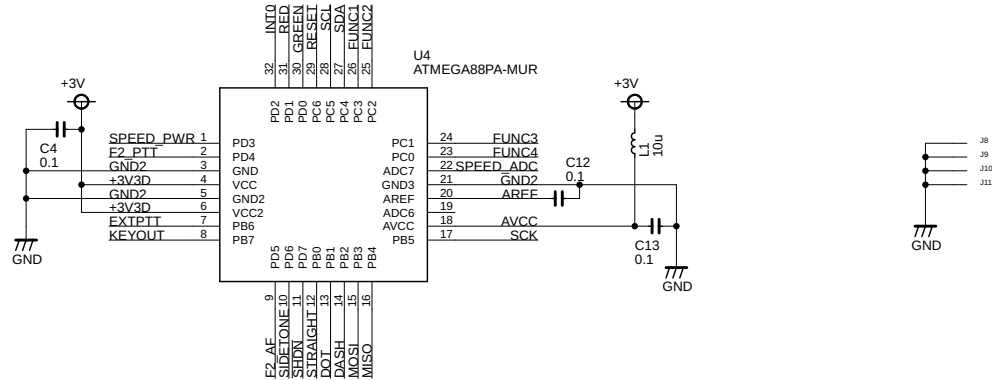
EEPROM



AF Amp



ATmega88



TITLE: KEYER_XR-RevA	
Document Number:	REV:
Date: 2019/07/20 23:29	Sheet: 1/1